

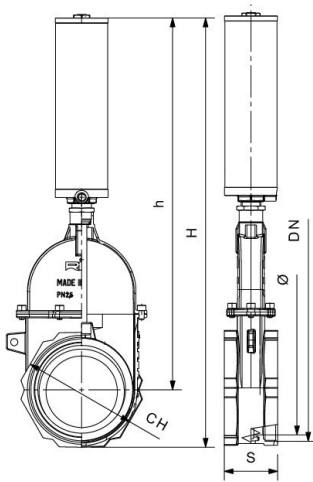


RIV 63

Threaded piston gate valve
with double-acting pneumatic jack in brass
PPS system



Tech drawings and tables



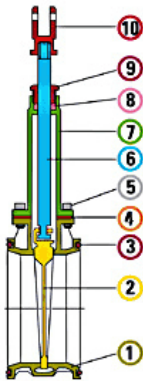
DN	Code	Ø	H	h	S	PN	KG	P/box
4"	050063000016	91	502	441	68	3bar - 45psi	7,407	1
5"	050063000018	120	589	514	78	3bar - 45psi	8,869	1
6"	050063000019	144	663	574	82	2,5bar - 37psi	11,409	1

Advantages

- Better tightness compared to other gate valves of the same type.
- Anticorrosion stainless steel screws.
- In accordance with 97/23/CE (PED) Directive.

Technical data

Art. 10



Materials

1	Body	Brass	CB754S
2	Wedge	Brass	CB754S
3	O-Ring	NBR	
4	Gasket	Fibre	
5	Screw	Stainless Steel	AISI 304
6	Stem	Brass	CW614N
7	Cap	Brass	CB754S
8	Tow packing	Fibre	
9	Stuffing-Box	Brass	CW614N
10	Fork	Brass	CW617N

Connections

ISO 228/1, NPT, Square flange

Limit

-20°C (without liquid) +90°C

Notes

The max. working pressure (PN) means at a room temperature of about 23°C.